



# 3.1AF SURFACE AERATOR

## OVERVIEW

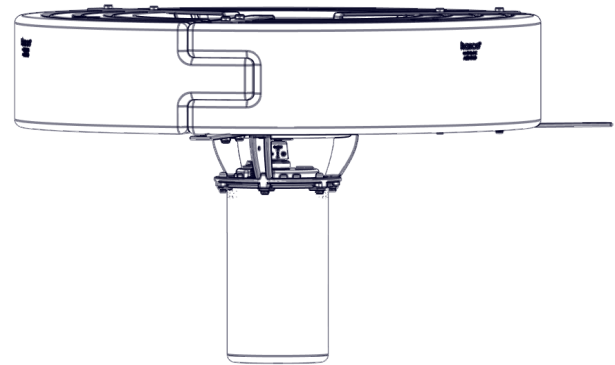
- Complete package includes assembled motor unit, float, three mooring lines, and power cable.
- Operates in 24" (61cm) of water.
- Total package Listed by ETL to UL/CSA standards
- Corrosion protection for saltwater applications
- Intake near surface allows for shallow operation
- Optional lighting

## MOTOR UNIT

- 3HP, 208-240V, single phase
- 1750 RPM
- Oil cooled, continuous duty rated
- 17mm top and 20mm bottom bearings
- Thermal overload protection
- Fully unitized heavy-duty carbon ceramic mechanical seal
- Series 300 Austenitic stainless steel can with engineering grade thermoplastic top
- Sacrificial anode
- Custom-engineered UV-resistant thermoplastic 3-blade weedless propeller

## FLOAT

- UV-resistant linear high-density thermoplastic
- Three-piece float
- Series 300 coated stainless steel hardware
- Three 50' braided nylon mooring ropes
- Optional coated stainless steel bottom screen



## Dimensions

Float width w/ brackets: 51"

Unit height with float: 25"

## POWER CABLE

- UL, CSA & NEC approved underwater rated cable
- SJTOW rated (SOOW on 8+ AWG)
- 3 wire (L1, L2, G)
- Quick Disconnect on 12+ AWG cords
- Stainless steel strain relief on 12+ AWG cords
- 6' flex sleeving protection

## OPTIONAL C230 CONTROL PANEL

- UL type 3R/4X thermoplastic enclosure
- 30-Amp breaker
- GFCI protection with 5ma trip level
- 24-hour mechanical aerator timer
- Surge protector
- Use C95 panel if purchasing optional lighting

# 3.1AF SURFACE AERATOR

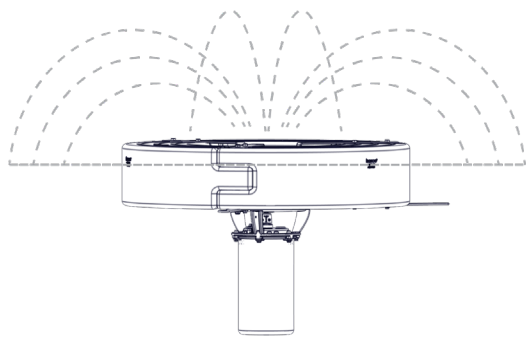
HP	Voltage / Phase / Hz	Running Amps	Locked Rotor Amps	Suggested Pond Size (SA)*	Min. Depth of Operation (in.)
3	208-240V / 1 / 60	10.7	63	Up to 3	24"

\*Surface Acreage; also consider pond shape, depth, and oxygen demand.

## MODEL SPECIFICATIONS

Model	Cord Length	Cord Gauge	Number of Boxes	Shipping Weight
3.1AF050	50 ft.	14/3	2	127 lbs.
3.1AF100	100 ft.	12/3	3	140 lbs.
3.1AF150	150 ft.	12/3	3	146 lbs.
3.1AF200	200 ft.	10/3	3	185 lbs.
3.1AF250	250 ft.	10/3	3	192 lbs.
3.1AF300	300 ft.	10/3	3	199 lbs.
3.1AF400	400 ft.	8/3	3*	313 lbs.
3.1AF500	500 ft.	8/3	3*	363 lbs.

\* Ships motor freight only.



Pattern = 50" H x 130" W

