

Birch 16' H x 12' W	Redwood 27' H x 6' W	Spruce 26' H x 12' W	Balsam 19' H x 34' W	Linden 20.5' H x 38' W
------------------------	-------------------------	-------------------------	-------------------------	---------------------------

Quick Facts

<p>Complete Package Includes:</p> <ul style="list-style-type: none"> • Motor Unit • Control Panel • Float with Screens & Mooring Lines • UL, CSA & NEC Approved Underwater Rated Cable • 5 Interchangeable Nozzles 	<ul style="list-style-type: none"> • Total Package Listed by ETL to UL/CSA Standards • Top Intake for Shallow Operation • Salt Water Compatible • Packaged for Convenient Shipping
<p style="text-align: center;">Motor Unit</p> <ul style="list-style-type: none"> • 3HP, Voltage Operating Range of 208-240V, Single Phase • Class B Insulation • 1750 RPM Avg, 1800 Nominal • Oil Cooled • Continuous Duty Rated • 17mm Top and 20mm Bottom Bearings • Thermal Overload Protection • Fully Unitized Heavy-Duty Carbon Ceramic Mechanical Seal • Series 300 Austenitic Stainless-Steel Can • Engineering Grade Thermoplastic Top • Sacrificial Zinc Anode Installed on 316 SST Shaft 	<p style="text-align: center;">Float</p> <ul style="list-style-type: none"> • UV Resistant High-Density Polyethylene • Single Piece • 300 Series Stainless Steel Hardware • 300 Series Stainless Steel Bottom Screen • Three 50' Braided Nylon Mooring Ropes
<p style="text-align: center;">Fountain Components</p> <ul style="list-style-type: none"> • Custom Thermoplastic Impeller • UV Resistant Thermoplastic Cone & Fountain Housing • 300 Series Stainless Steel Hardware • 5 Interchangeable Thermoplastic Nozzles • Tool-Free Nozzle/Pattern Changing • Additional Premium Nozzles Available 	<p style="text-align: center;">Power Cable</p> <ul style="list-style-type: none"> • UL, CSA & NEC Approved Underwater Rated Cable • 3 Wire (L1, L2, G) • Quick Disconnect standard on 12 AWG & Larger Cords • Stainless Steel Strain Relief on 12 AWG & Larger Cords • 6' Flex Sleeving Protection • Optional Flex Sleeve for entire cord length available
<p style="text-align: center;">Control Panel</p> <ul style="list-style-type: none"> • UL 508 Listed • UL Type 3r/4x Thermoplastic Enclosure • 30 Amp Breaker • GFCI Protection with 5ma Trip Level • Surge Protector • 24 Hour Mechanical Fountain Timer • Terminal Block Wiring • 24 Hour Mechanical Timer for Optional Lighting • 4 Wire Power Required (L1, L2, N, G) 	<p style="text-align: center;">Optional Lighting</p> <ul style="list-style-type: none"> • See Lighting Specs

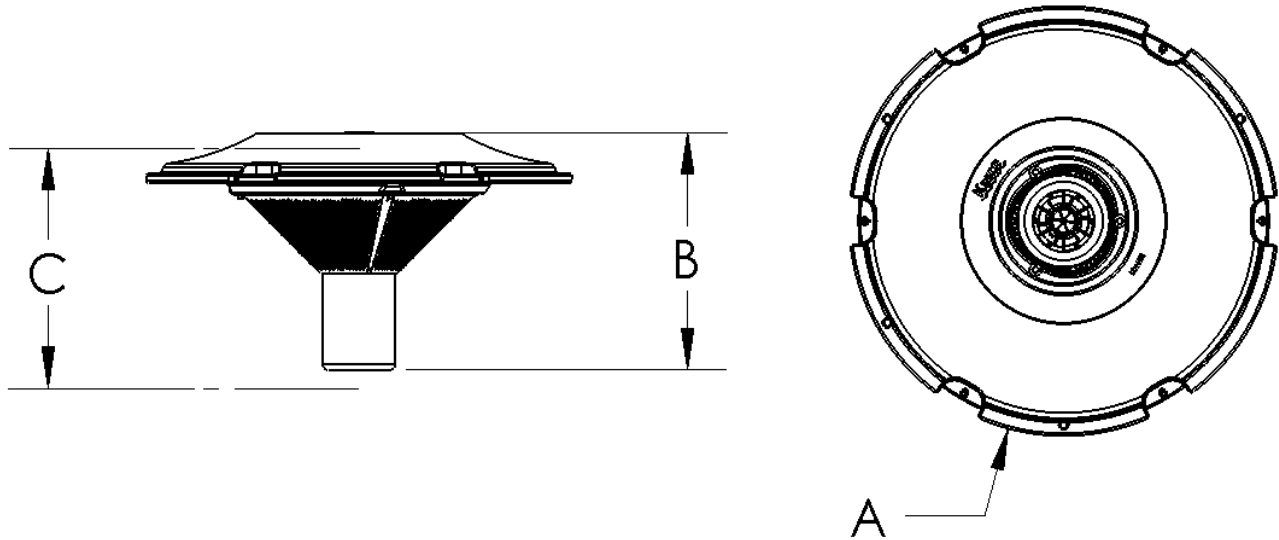
Model #	HP	Cord Length (Feet)	Cord Gauge*	Voltage Phase/Hz	Running Amps	Lock Rotor Amps	Sugg. Pond Size (Surface Acre)**	Min Depth of Operation (Inches)	Shipping Weight (Lbs)	Number of Boxes
3.1JF050	3	50	14/3	208-240V 1/60	13.4	61	Up to 1.5	24		3
3.1JF100		100	12/3							4
3.1JF150		150	12/3							4
3.1JF200		200	10/3							4
3.1JF250		250	10/3							4
3.1JF300		300	10/3							4
3.1JF400		400	8/3							4***
3.1JF500		500	8/3							4***

* 12AW & larger cords include quick disconnect and stainless steel strain relief.

** Actual shape, depth, & oxygen demand should be considered when selecting a unit size.

*** Ships motor freight only.

500' and longer cord lengths available by custom order only.



A	Float Diameter	43 Inches
B	Unit Height	24 Inches
C	Min Operating Depth	24 Inches